

# CISTERNS AND PLANTERS

## BROMSGROVE

info@bromsgrove.ca

www.bromsgrove.ca 905 312 9830

Planter boxes and cisterns are assembled from cast panels and can be made into almost any shape, width, or depth (front to back). The basic panels from which the undecorated pieces on this page were made are available in heights of 8, 18 and 25 inches. Ornamentation can be applied as required. The basic panel has a lip and base that are similar to those on our classic urn.

Rectangular Planter

48" wide, 18" high, 16" deep



Classic Tapered



25" high, 24" square

Rose



30" wide, 8" high, 9" deep

Lilly



23" wide, 12" high, 10" deep

Tapered Square

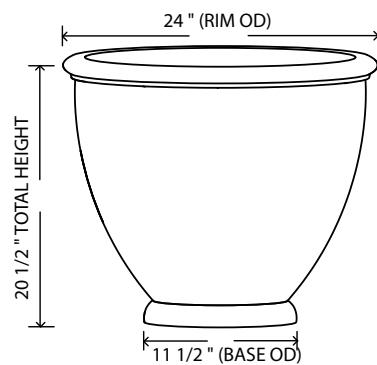


18" square at top, 18" high

# LION HEAD URN



above photo: Leyva Wilde



Weight: 180 lbs  
Planting Area: 70 sq inches



BROMSGROVE

[info@bromsgrove.ca](mailto:info@bromsgrove.ca)

[www.bromsgrove.ca](http://www.bromsgrove.ca)

905 312 9830

# MASKS AND FOUNTAIN HEADS



The two satyr masks shown were taken from originals ca. 1900. Satyrs were the followers of Dionysus the Greek god of Agriculture and thus wine. They were raunchy fellows and make interesting fountainheads.

The pieces are fitted with an adaptable mounting system and can be piped allowing them to serve as fountains.

Satyr 14" High, 10" Wide, 4" deep



McSatyr 15" High, 10" Wide, 4" deep



Art Nouveau Mask

10" or 20" in diameter, 2" deep

The first mask is typical of the Art Nouveau/Arts and Crafts movement in its asymmetry and Asian influence.

[info@bromsgrove.ca](mailto:info@bromsgrove.ca)  
[www.bromsgrove.ca](http://www.bromsgrove.ca)

**BROMSGROVE**  
905 312 9830



# FIELDMOUSE URN



Each section of this gracefully curved octagon is relieved with images from nature. A fieldmouse whimsically decorates the side. Originally made by the Bromsgrove Guild of Arts, this piece was described as the best of the modern design in 1909.



OAKLEAF



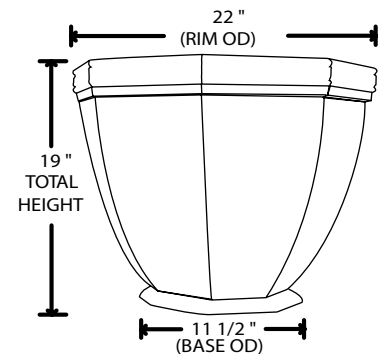
DOVE



THRUSH



THISTLE



Weight: 180 lbs  
Planting Area: 70 sq inches

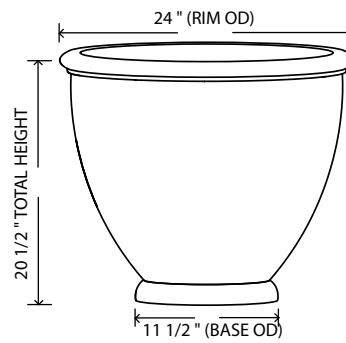
## BROMSGROVE

info@bromsgrove.ca  
905 312 9830

www.bromsgrove.ca

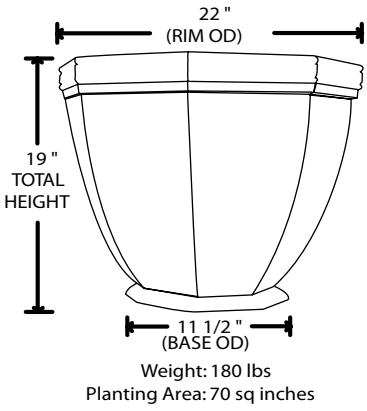
# CLASSIC URN

The elegant curves of this traditional, simple urn create a shape that fits well with both established and modern landscapes. Originally it was produced with more decoration by the Bromsgrove Guild of Arts in England ca. 1900



Weight: 180 lbs  
Planting Area: 70 sq inches





# THE OCTAGONAL

# BROMSGROVE

[info@bromsgrove.ca](mailto:info@bromsgrove.ca)

[www.bromsgrove.ca](http://www.bromsgrove.ca)

905 312 9830



# CUSTOM WORK

We produce pieces to the specific requirements of designers and have the capacity to fabricate planters of almost any shape and configuration. Some of these are shown in the product sheet entitled cisterns and planters.

Cisterns and planter boxes are made of a number of basic panels that can be joined together to produce a piece of the desired size. Since the process of making a piece to desired dimensions is not different than fabricating a preset size there is little if any difference in cost.

The images below show the process.



We receive an image, either in two or three dimensions. This example shows a rather poor two dimensional image that we received. (photo copy)



Using traditional modeling methods and computer based techniques we generate a pattern that we return to the client for approval. (mdf)



The pattern is used to make a mold into which lead is cast. (photo of sand mold)



The piece is cast and finished. (photo)